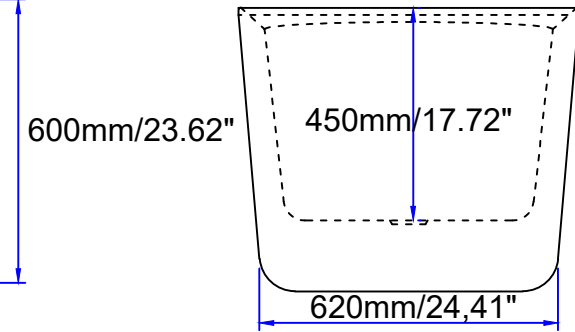
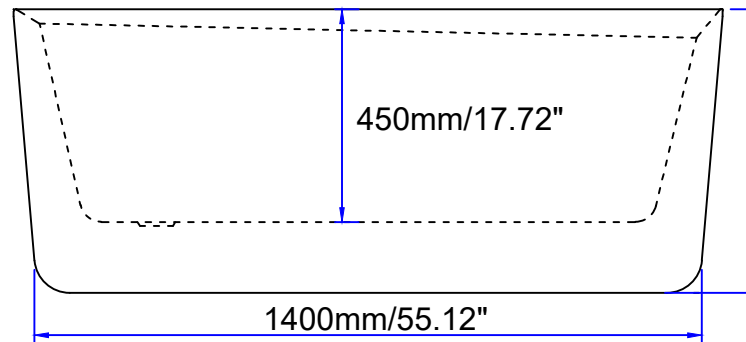
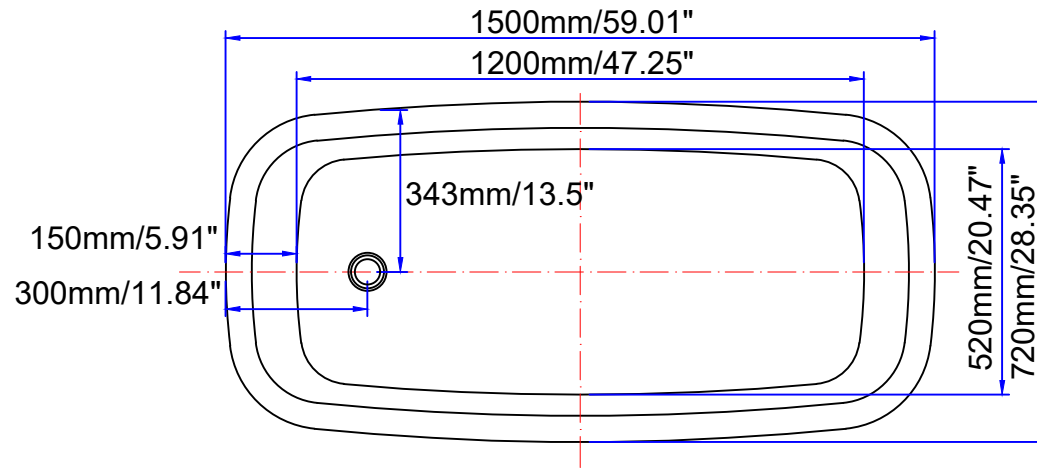




# Streamline



N-1640-59FSWH-FM